

FEATURES AND SPECIFICATIONS

Features and Benefits

- Sizes 6 to 54 circuits
- Front guide ribs provide 180° polarization to mating connector

Reference Information

Product Specification: PS-70058

Packaging: Bag

UL File No.: E29179

CSA File No.: LR19980

Mates With: 8723 and 8724

Use With: 70058 and 71851 crimp terminals

Designed In: Inches

Physical

Housing: Black glass-filled polyester, UL 94V-0

Operating Temperature: -40 to +105°C



2.54mm (.100") Pitch

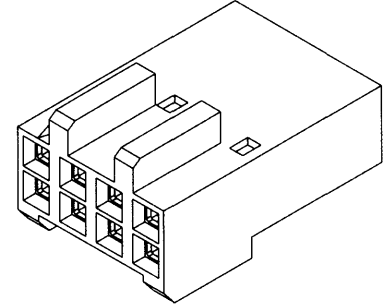
SL™

Crimp Housing

70450

Dual Row

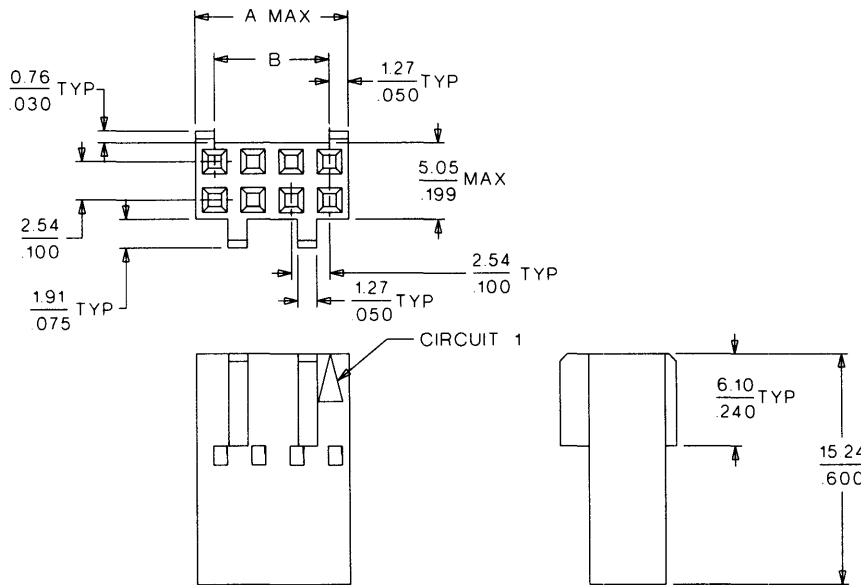
Version F



2.54mm (.100") Pitch

CATALOG DRAWING (FOR REFERENCE ONLY)

Not For Use With C-Grid III™ Components



Delivered on a carrier with 20 pieces per strip.

Actual Size **Universal Polarizing Pin 40713-1**

Order No. 15-04-0292

ORDERING INFORMATION AND DIMENSIONS

Circuits	Order No.	Dimension	
		A	B
6	• 22-56-6067	7.59 (.299)	5.08 (.200)
8	• 22-56-6087	10.13 (.399)	7.62 (.300)
10	• 22-56-6107	12.67 (.499)	10.16 (.400)
12	• 22-56-6127	15.21 (.599)	12.70 (.500)
14	• 22-56-6147	17.75 (.699)	15.24 (.600)
16	• 22-56-6167	20.29 (.799)	17.78 (.700)
18	• 22-56-6187	22.83 (.899)	20.32 (.800)
20	• 22-56-6207	25.37 (.999)	22.86 (.900)
22	• 22-56-6227	27.91 (1.099)	25.40 (1.000)
24	• 22-56-6247	30.45 (1.199)	27.94 (1.100)
26	• 22-56-6267	32.99 (1.299)	30.48 (1.200)
28	• 22-56-6287	35.53 (1.399)	33.02 (1.300)
30	• 22-56-6307	38.07 (1.499)	35.56 (1.400)

Circuits	Order No.	Dimension	
		A	B
32	• 22-56-6327	40.61 (1.599)	38.10 (1.500)
34	• 22-56-6347	43.15 (1.699)	40.64 (1.600)
36	• 22-56-6367	45.69 (1.799)	43.18 (1.700)
38	• 22-56-6387	48.23 (1.899)	45.72 (1.800)
40	• 22-56-6407	50.77 (1.999)	48.26 (1.900)
42	• 22-56-6427	53.31 (2.099)	50.80 (2.000)
44	• 22-56-6447	55.85 (2.199)	53.34 (2.100)
46	• 22-56-6467	58.39 (2.299)	55.88 (2.200)
48	• 22-56-6487	60.93 (2.399)	58.42 (2.300)
50	• 22-56-6507	63.47 (2.499)	60.96 (2.400)
52	• 22-56-6527	66.01 (2.599)	63.50 (2.500)
54	• 22-56-6547	68.55 (2.699)	66.04 (2.600)

• US Standard Product, available through Molex franchised distributors